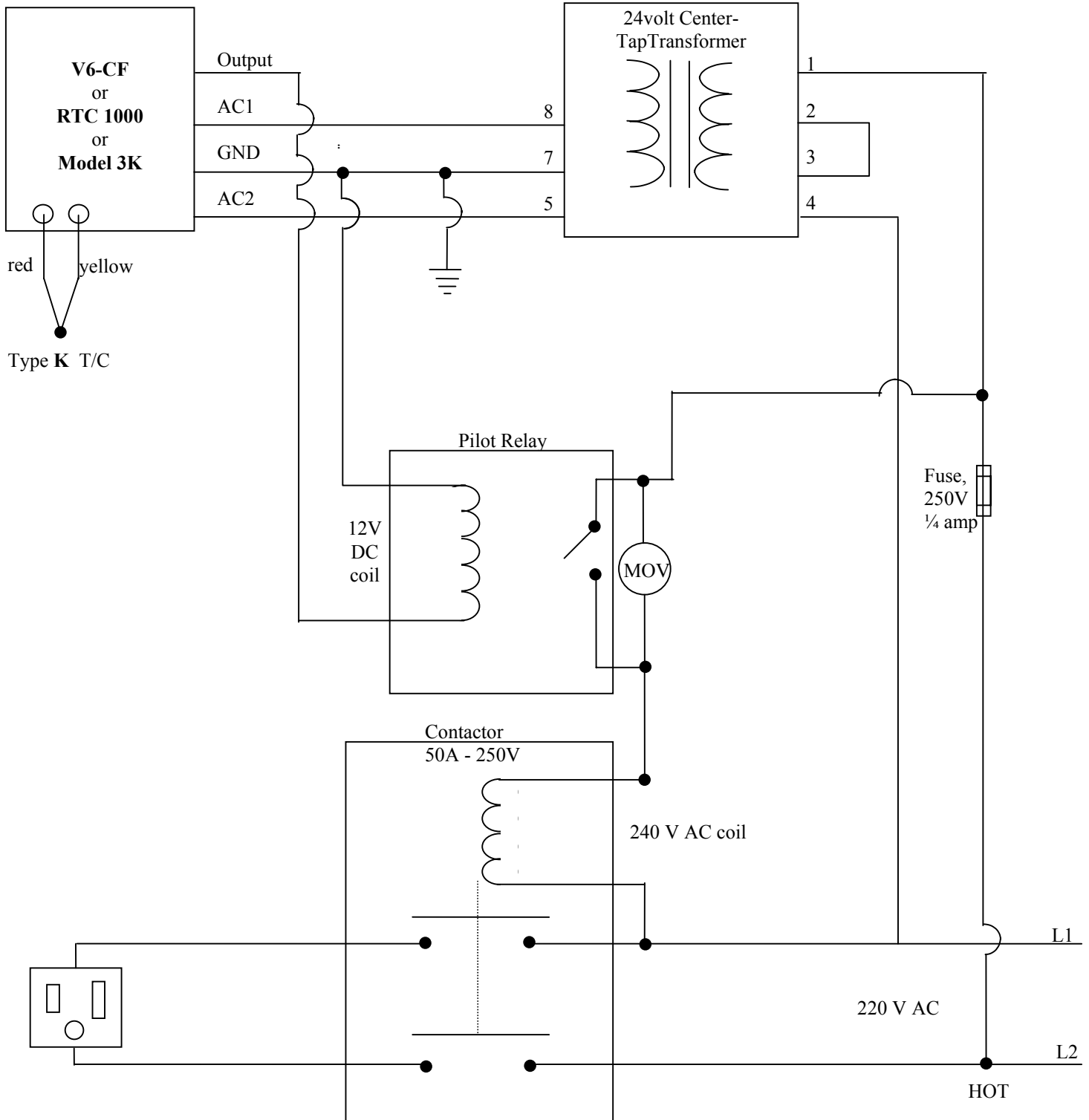


APPLICATION EXAMPLE using a V6-CF, THP600, SSC100, or THP100 CONTROLLER



This is only a SAMPLE wiring diagram. Wiring should be checked by a licensed electrician before operating.

Revised: 5-29-01